



ALPHA

Hydro Cooling Recycling Extruder

The **ALPHA** recycling extruder uses Plasmac's unique Short Screw Technology (SST), which is based around a dual diameter 8:1 L/D ratio screw.

PRINCIPLE OF OPERATION

The waste material is directly fed on to the screw meaning no prior size reduction is required, due to this little or no dust is produced which means a higher quality pellet is produced with the lowest levels of gels possible. The S.S.T. ensures low shear, runs at low melt temperatures and therefore guarantees an absolute minimum of material degradation.



MAIN FEATURES

Minimal power consumption & the highest output / kW of installed power in the market

Giving you lower running cost and therefore the quickest return on your investment.

Low shear, minimum process dwell time and the absolute minimum of material degradation

Means you can recycle all of your scrap material into high quality pellets, reducing your material costs and improving your profitability.

Direct extrusion design, no prior size reduction required

Requires no other costly equipment, reduces maintenance and increases your productivity, therefore improving your profitability.

Smallest footprint recycling machine available on the market

Minimal floor space is required.

TRIM BASKET

For feeding inline trims into the recycling extruder.

FLAKE FEEDER

Used to feed flakes or chips into the extruder.

REELFEED

Used to feed off-spec or scrap reels into the extruder, can be used simultaneously with the trim basket.

SUPATRIM

Used to convey tacky or extensible trims to the extruder, can be used simultaneously with the trim basket.

SCREEN CHANGERS

Manual or automatic systems available, used when running offline products i.e. reels, flake etc.

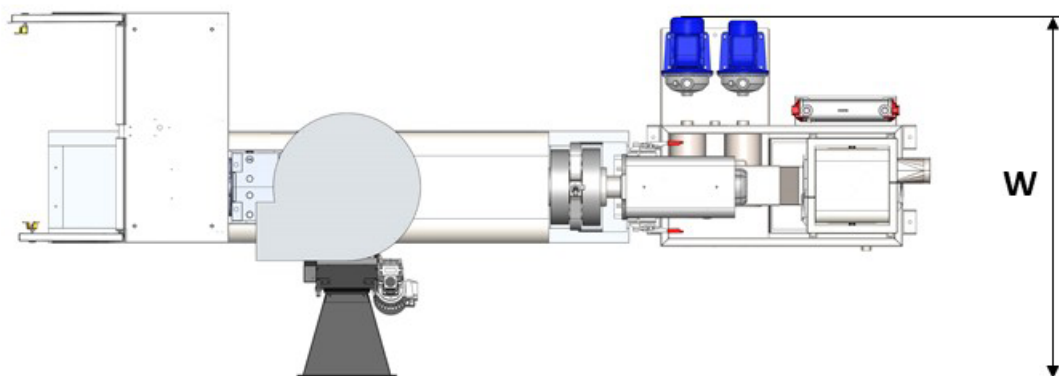
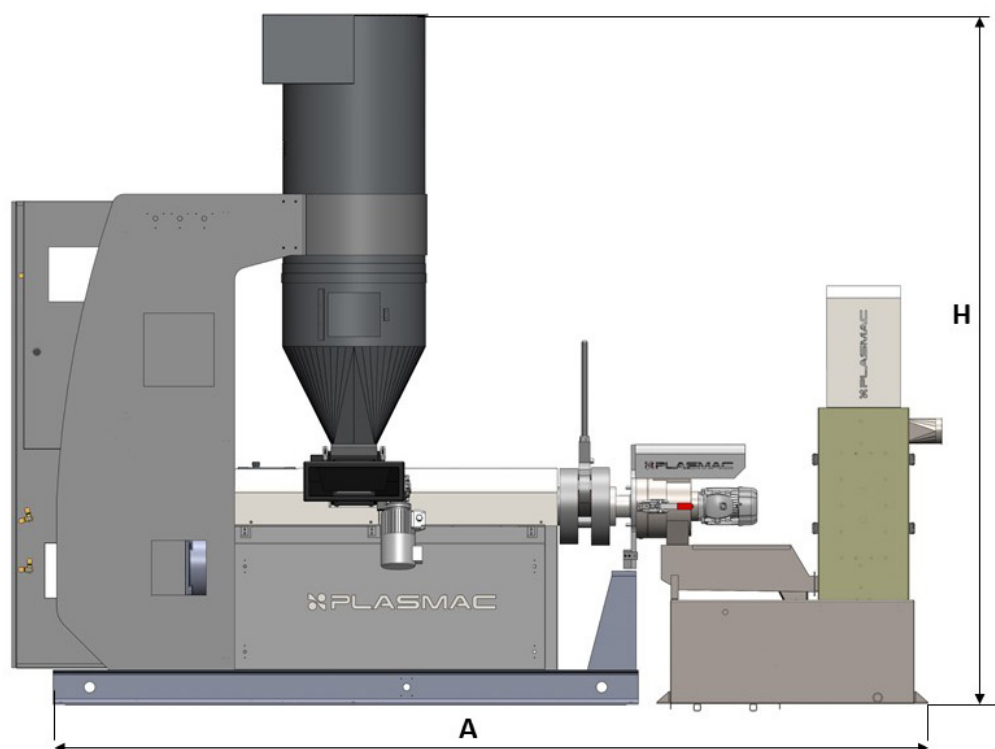
VACUUM DEGASSING STATION

Single or double venting systems available to allow you to run printed or hydroscopic materials.

DTEC

A pellet detection system to advise if there are issues in the pelletiser.

TECHNICAL DATA



MODEL	Output Kg/h*	Motor kW	Floor Space m ²	A (mm)	W(mm)	H (mm)	Weight ** Kg
AS HC	75	15	6.57	3800	1730	2800	1250
AS PLUS HC	90	18.5	6.82	4300	1930	3000	1500
AM HC	130	30	7.20	4400			1700
AL HC	180	37	13.34	5800			1850
AXL HC	230	55	14	7300			2000

* Depends on the type and the format of the material
 ** Depends on the installed accessories