



ALPHA

Air Cooling Recycling Extruder

The **ALPHA** recycling extruder uses Plasmac's unique dual diameter Short Screw Technology (S.S.T.).

PRINCIPLE OF OPERATION

The waste material is directly fed into the screw meaning no prior size reduction is required. Due to this, little or no dust is produced which means a higher quality pellet with the lowest levels of gels possible. The S.S.T. ensures low shear and runs at low melt temperatures guaranteeing an absolute minimum of material degradation producing the highest quality recycled pellet.



MAIN FEATURES

Minimal power consumption & the highest output / kW of installed power in the market

Giving you lower running cost and therefore the quickest return on your investment.

Low shear, minimum process dwell time and the absolute minimum of material degradation

Means you can recycle all of your scrap material into high quality pellets, reducing your material costs and improving your profitability.

Direct extrusion design, no prior size reduction required

Requires no other costly equipment, reduces maintenance and increases your productivity, therefore improving your profitability.

Smallest footprint recycling machine available on the market

Minimal floor space is required.

Trim Basket

For feeding inline trims into the recycling extruder.

Flake Feeder

Used to feed flakes or chips into the extruder.

REELFEED

Used to feed off-spec or scrap reels into the extruder, can be used simultaneously with the trim basket.

SUPATRIM - TRIM PULLING NIP

Used to convey tacky or extensible trims to the extruder.

SCREEN CHANGERS

Manual or automatic systems available, used when running offline products i.e. reels, flake etc.

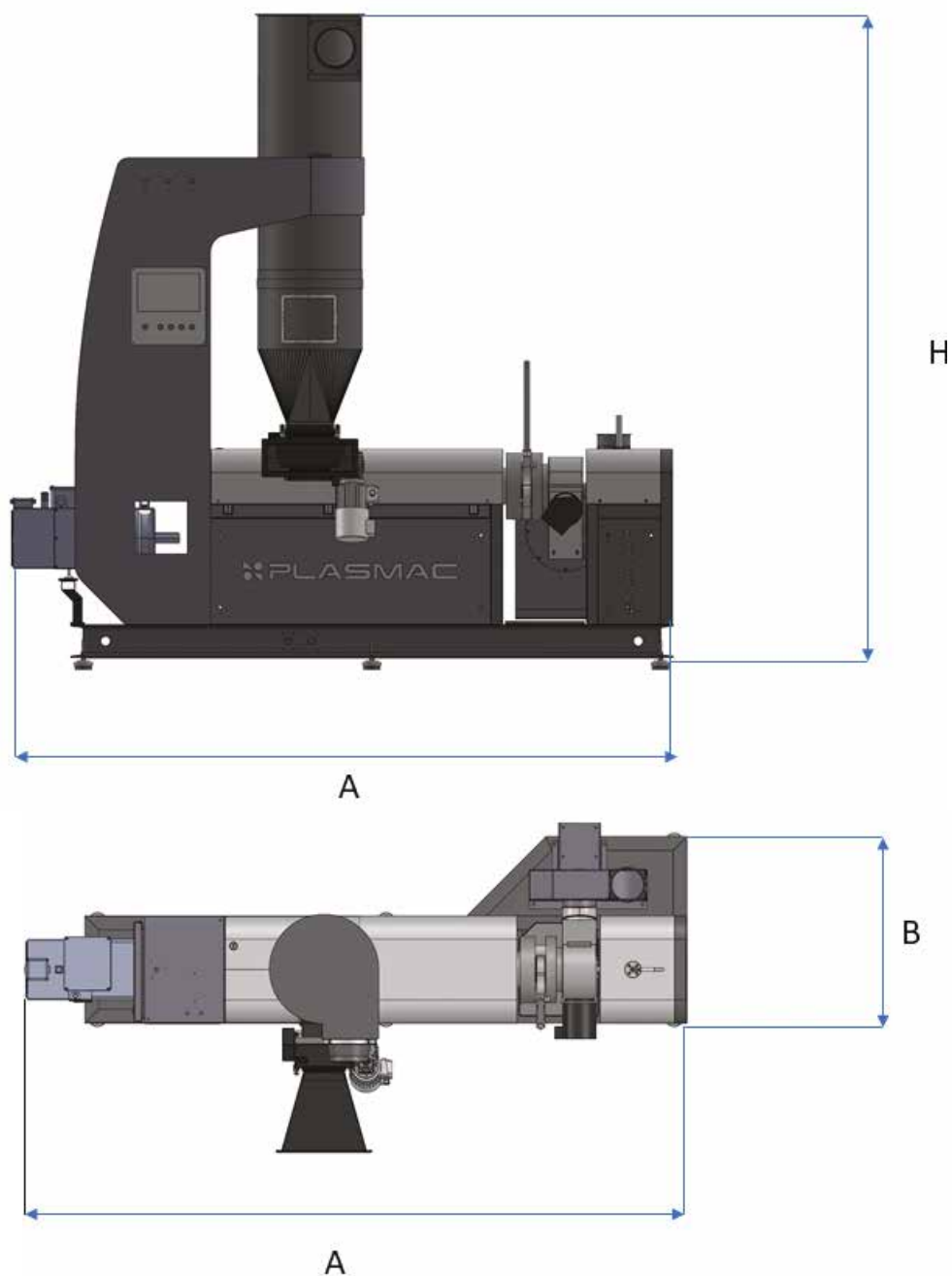
DTEC

A pellet detection system to advise if there are issues in the pelletiser.

ANTISTATIC BAR

A bar on the top of the Trim Basket to remove static from trims.

TECHNICAL DATA



MODEL	Output Kg/h*	Motor kW	Floor Space m ²	A (mm)	B(mm)	H (mm)	Weight ** Kg
AS	75	15	2,48	2700	920	2800	1100
AS PLUS	90	18.5	2.62	2850		3000	1100
AM	130	30	2.94	300	950		1300

* Depends on the type and the format of the material

** Depends on the installed accessories