



EPSILON

The most efficient recycling extruder

The **EPSILON** recycling inline shredder extruder system uses Plasmac's unique Short Screw Technology (S.S.T.).

PRINCIPLE OF OPERATION

The waste material is fed via trim basket, rollfeed or elevator, into the inline shredder, the size reduced material is then fed directly into the feed throat of the extruder. No water cooling or compressed air is needed and the slow rotating shredder rotor ensures dust generation is kept to a minimum which means a higher quality pellet is produced with the lowest levels of gels possible. The S.S.T. ensures low shear, runs at low melt temperatures and therefore guarantees an absolute minimum of material degradation giving you the highest quality recycled pellet.



MAIN FEATURES

Minimal power consumption & the highest output / kW of installed power in the market

Giving you lower running cost and therefore the quickest return on your investment with paybacks in as little as six months

Low shear, minimum process dwell time and the absolute minimum of material degradation

This means you can recycle all of your scrap material into high quality pellets, reducing your material costs and improving your profitability

Slow rotating inline shredder technology and unique feed hopper design

Requires no cooling water of the rotor, reduces maintenance and costs, therefore improving your profitability

Smallest footprint recycling machine available on the market

Minimal floor space is required freeing up valuable floor space for other applications

AIR or WATER COOLED PELLETISER

Air or water pelletisers, the materials or output being run will determine the type of pelletiser required

TRIM BASKET

For feeding inline trims into the recycling extruder

ROLLFEED

Used to feed off-specification reels or scrap reels into the extruder, can be used simultaneously with the trim basket

ELEVATOR

Used to convey loose, slabbed, pieces and small lumps into the shredder

SCREEN CHANGERS

Manual or automatic systems available, used when running offline products such as reels, flake etc.

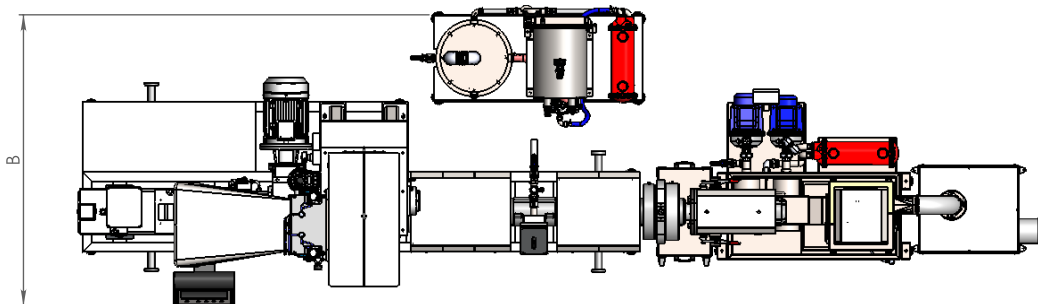
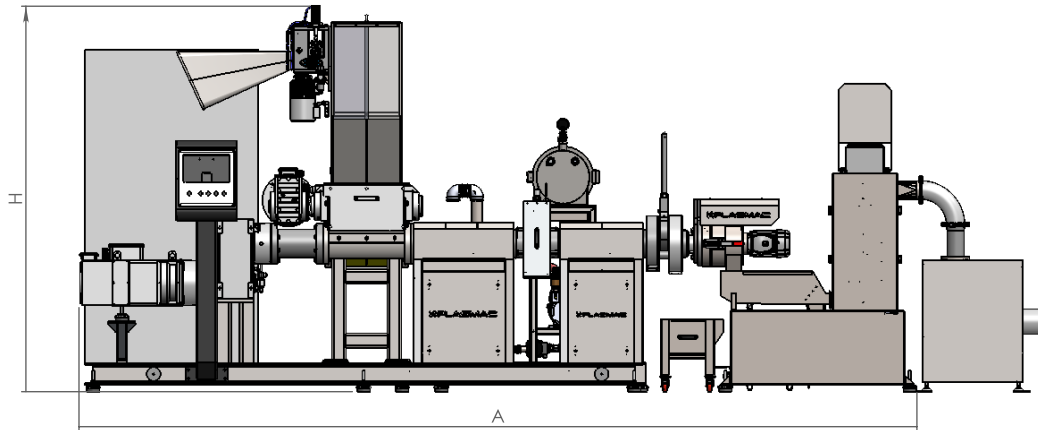
VACUUM DEGASSING STATION

Single or double venting systems available to allow you to run printed materials or materials with moisture in them

DTEC

A pellet detection system to advise the operator if there are issues in the pelletiser

TECHNICAL DATA



MODEL	Output Kg/h*	Motor kW	Floor Space m ²	A (mm)	B(mm)	H (mm)	Weight ** Kg
EPM	75	15	6.37	4900	1300	2200	2010
EPL	130	30	6.63	5100	1300	2200	2300

All dimensions are subject to change based on the configuration of the machine.

* Depends on the type and the format of the material
 ** Depends on the installed accessories