



# C-ONE

## Single screw feeding unit "C-ONE"

C-ONE is a single feeding unit engineered in different sizes in order to feed powders, granules, pellets, flakes and fibers and is available in volumetric or gravimetric versions. In the loss-in-weight modules, an analogue load cell is installed to guarantee a high weighing accuracy.



### PRINCIPLE OF OPERATION

One single motor through an integrated gear box, drives the feeding screw and the horizontal agitator which avoids bridging and keeps a constant material flow. Different screw configurations allows the user to feed any kind of product with any kind of throughput accurately and with consistency.

### MAIN FEATURES

#### HIGH PERFORMANCE

C-ONE can guarantee a high accuracy in feeding (+/- 0.5%) in a range of 1:20.

#### WIDE RANGE OF MODELS

The wide range of different dosing units allows the user to feed from 0,2 to 22.800 dm<sup>3</sup>/h.

#### MODULAR DESIGN

The design allows the possibility to change material and feed-rate by simply changing the screw and discharge outlet.

#### MODULAR HOPPERS

Various shapes and sizes of standard hoppers can be perfectly combined with various measuring extensions chosen in relation to flow rate, in order to meet different dosing needs

#### WEIGHING SYSTEM

C-ONE gravimetric units can be installed on a platform scale or in a special designed scale frame to keep the equipment more compact.

#### INSTALLATIONS

C-ONE is always supplied prewired with junction boxes to permit an easy and fast installation.

C-ONE feeders can be installed in a standalone frame or in a modular multi component dosing station frame C-MULTY which is available in various configurations: DS-4, DS-6 and DS-8, from 2 to 8 feeding units.

#### CONTROL SYSTEM & INDUSTRY 4.0

Feeder control system can manage from a single feeder up to several feeders and production lines. The PLC is supplied with OPC/UA protocol embedded, which make each machine modular and ready for industry 4.0.

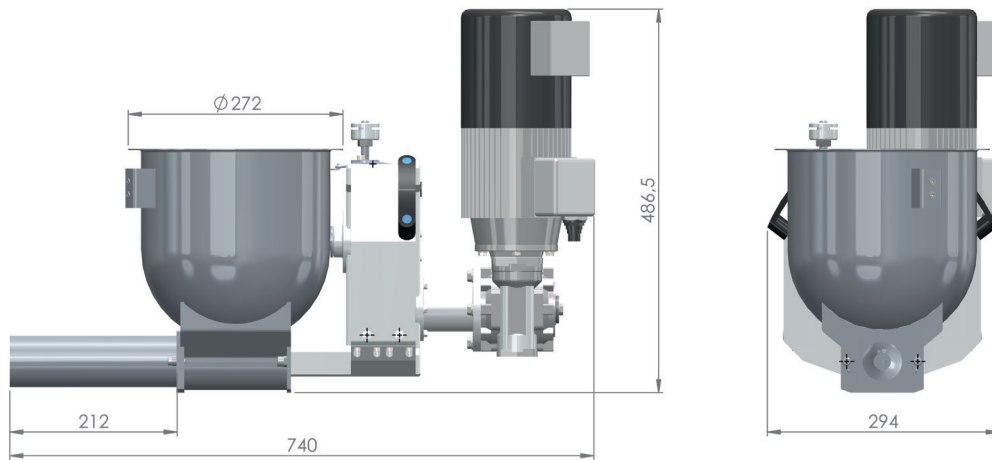
#### HMI

The feeding control system is equipped with a user friendly HMI touch screen (7"-9"-15").

#### OPTIONS AVAILABLE

As an option, C-ONE can be equipped with a vertical agitator, designed for high temperatures, ATEX compliant and/or FDA compliant.

**TECHNICAL DATA**



**Configuration**

- Cylindrical Hopper 28 lt
- Asymmetric Hopper 60 lt
- Asymmetric Hopper 90 lt
- Hopper extension 25/50/100 lt
- Stand alone feeder
- Multi feeder C-MULTY

**Configuration**

- AC motor
- Brushless motor
- Single motorization
- Double motorization
- FDA compliant
- ATEX compliant

**Technical Data**

**Brushless Motor - Drive**

- Motor Size 0.4 kW
- Voltage 230 V
- Motor Class IP55
- Speed Reducers 7:1 / 14:1 / 30:1

**AC Motor - Drive (Option)**

- Motor Size 0.37 kW
- Voltage 230-460/3/50-60Hz
- Motor Class IP55
- Speed Reducers 7:1 / 14:1 / 30:1

**Option**

- Vertical Agitator for conical, asymmetric Hoppers
- Screw extension 50 mm
- Horizontal agitator for powder
- Horizontal agitator for flakes or granules
- Horizontal agitator for fiber

**C-ONE-DM60**

Gear (AC motor)	rpm (screw)	SPIRAL				
		Ø20 x 20	Ø30 x 16	Ø30 x 32	Ø40 x 40	Ø50 x 50
		dmc/h	dmc/h	dmc/h	dmc/h	dmc/h
30:1	18 - 86	4,5 - 21	7 - 34	11 - 53	36 - 172	45 - 215
14:1	40 - 185	10 - 46	16 - 74	25 - 115	80 - 370	100 - 462
7:1	80 - 370	20 - 92	32 - 148	50 - 231	160 - 740	200 - 925

Gear (Brushless motor)	rpm (screw)	Ø20 x 20	Ø30 x 16	Ø30 x 32	Ø40 x 40	Ø50 x 50
		dmc/h	dmc/h	dmc/h	dmc/h	dmc/h
30:1	4,6 - 93	1,15 - 23	1,8 - 36	2,8 - 56	9,2 - 184	11,5 - 230
14:1	10 - 200	2,5 - 50	4 - 80	6,25 - 125	20 - 400	25 - 500
7:1	20 - 400	5 - 100	8 - 160	12,5 - 250	40 - 800	50 - 1000

**C-ONE-DM60**

Gear (AC motor)	rpm (screw)	AUGER					
		Ø25 x 25	Ø30 x 16	Ø30 x 32	Ø40 x 40	Ø50 x 50	Ø60 x 60
		dmc/h	dmc/h	dmc/h	dmc/h	dmc/h	dmc/h
30:1	18 - 86	8,5 - 40	7 - 33	13 - 64	40 - 194	90 - 426	162 - 774
14:1	40 - 185	19 - 87	15 - 70	30 - 139	90 - 418	198 - 918	360 - 1665
7:1	80 - 370	38 - 174	30 - 140	60 - 278	180 - 836	296 - 1836	720 - 3330

Gear (Brushless motor)	rpm (screw)	Ø25 x 25	Ø30 x 16	Ø30 x 32	Ø40 x 40	Ø50 x 50	Ø60 x 60
		dmc/h	dmc/h	dmc/h	dmc/h	dmc/h	dmc/h
30:1	4,6 - 93	2 - 43	1,7 - 35	3,5 - 70	10 - 210	22 - 461	41 - 837
14:1	10 - 200	4,5 - 94	3,8 - 76	7,5 - 150	22 - 452	49 - 992	90 - 1800
7:1	20 - 400	9 - 188	7,6 - 152	15 - 300	44 - 904	99 - 1984	180 - 3600