



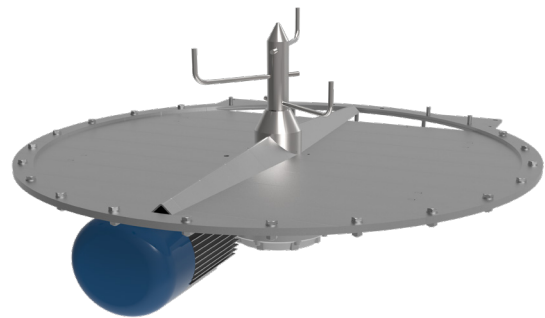
# BX

## Flat Bottom Extractor "BX"

The **BX** flat bottom extractor series is Plantech-CST's modular solution to discharge products which bridge easily and in general are not free-flowing products.

### PRINCIPLE OF OPERATION

The **BX** flat bottom extractor can be installed at the bottom of various storage devices, through a helix agitator driven by gearmotor installed on the bottom, it helps to discharge all kinds of products, avoiding bridging and blocking.



### MAIN FEATURES

#### HIGH MODULARITY

The BX flat bottom extractor can be installed on a range of different storage and conveying devices from Plantech-CST. The extractors can also be adapted to retrofit on to existing machines. Many different diameters can be used on different shapes of hoppers (cylindrical, conical, inverse conical), this means that the flat bottom extractor can be installed on silos, bins, empty bag and big-bag stations and receivers.

#### VARIOUS APPLICATIONS

Depending on the type of installations and use, various dosing and discharge devices can be installed such as:

- Discharge valves
- Dosing screws
- Rotary valves

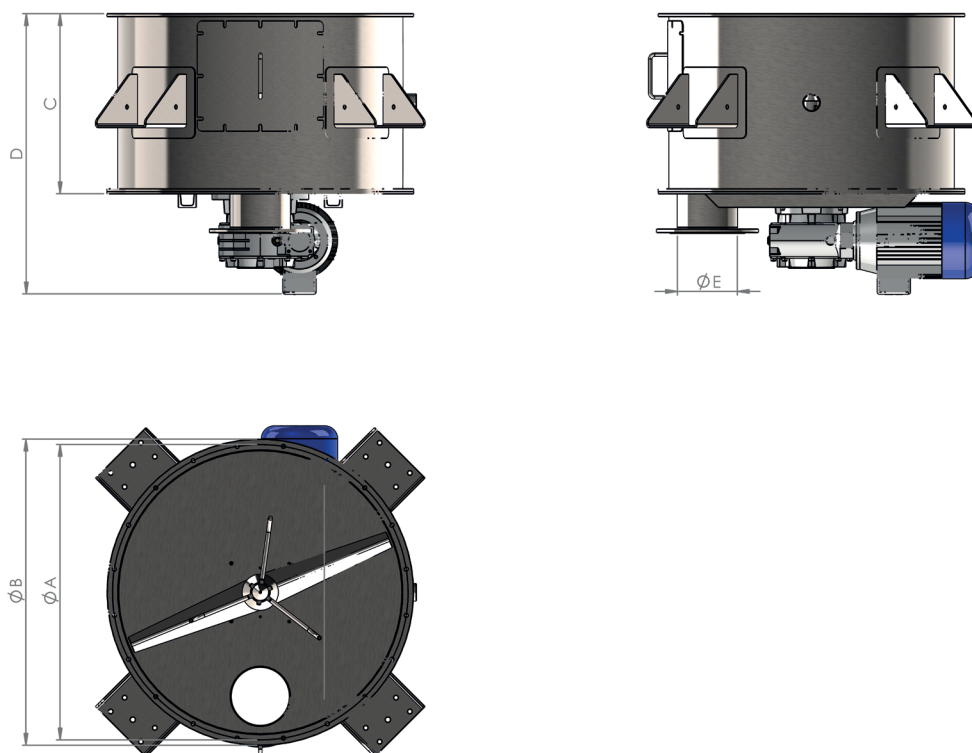
#### INSTALLATIONS

The BX flat bottom extractor is always supplied pre-assembled and pre wired with junction boxes to permit an easy and fast installation.

#### OPTIONS AVAILABLE

As an option, the BX flat bottom extractor can be designed for high temperatures, ATEX compliant and/or FDA compliant.

**TECHNICAL DATA**



Code	ØA [mm]	ØB [mm]	C [mm]	D [mm]	ØE [mm]	Volume (lt)	Power [kW]
<b>BX 08-250</b>	800	860	500	740	200	270	2,2
<b>BX 08-400</b>	800	860	800	1040	200	435	2,2 - 3
<b>BX 10-390</b>	1000	1080	500	740	250	400	2,2
<b>BX 10-620</b>	1000	1080	800	1150	250	630	2,2 - 3
<b>BX 12-900</b>	1200	1280	800	1150	300	900	2,2 - 4