



# HL

## Receivers For Powders "HL"

The hopper loader series HL is Plantech-CST's receiver for powdery or dusty bulk materials. This equipment can be used in stand alone or centralized conveying systems both in pressure and vacuum situations. The wide range of sizes allows for conveying from 10 Kg/h up to 4000 Kg/h.

### PRINCIPLE OF OPERATION

The product picked up from a storage device through a suction probe/screw/rotary valve is pneumatically conveyed either via vacuum or pressure by means of a conveying pump. The product is transferred to the HL receivers. During this phase the integrated filters are cleaned through the pulsation of compressed air, when the cycle is completed the product is discharged from a butterfly valve installed on the bottom of the receivers.



### MAIN FEATURES

#### DIFFERENT FILTERS

According to the kind of product to be conveyed, the HL receiver can be equipped with sleeve type or cartridge type filters of different materials. The type of filter chosen is according to the product to be conveyed and to the feed rate of the line.

#### SELF CLEANING SYSTEM

The HL receiver is equipped with a compressed air tank and cleaning valves, during the conveying cycle compressed air is injected in the inner part of the filter to keep it clean. The cleaning cycles, as well as the intensity of the cleaning airflow can be controlled via the PLC or by an electronic card.

#### EASY MAINTANANCE OPERATION

During line maintenance operations the HL receiver can be easily dismantled through a front door or via clamps without the need for tools.

#### DIFFERENT HOPPER CAPACITY

The modularity of the HL receiver allows it to be used for different discharge hopper capacities ranging from 15L up to 400L.

#### EXTRACTION SYSTEM

When the product is not free flowing, the HL receiver can be supplied with various flow aids such as fluidization nozzles and pneumatic or electro pneumatic vibrators.

#### INSTALLATIONS

The receiver HL is always supplied pre wired with junction boxes to permit an easy and fast installation.

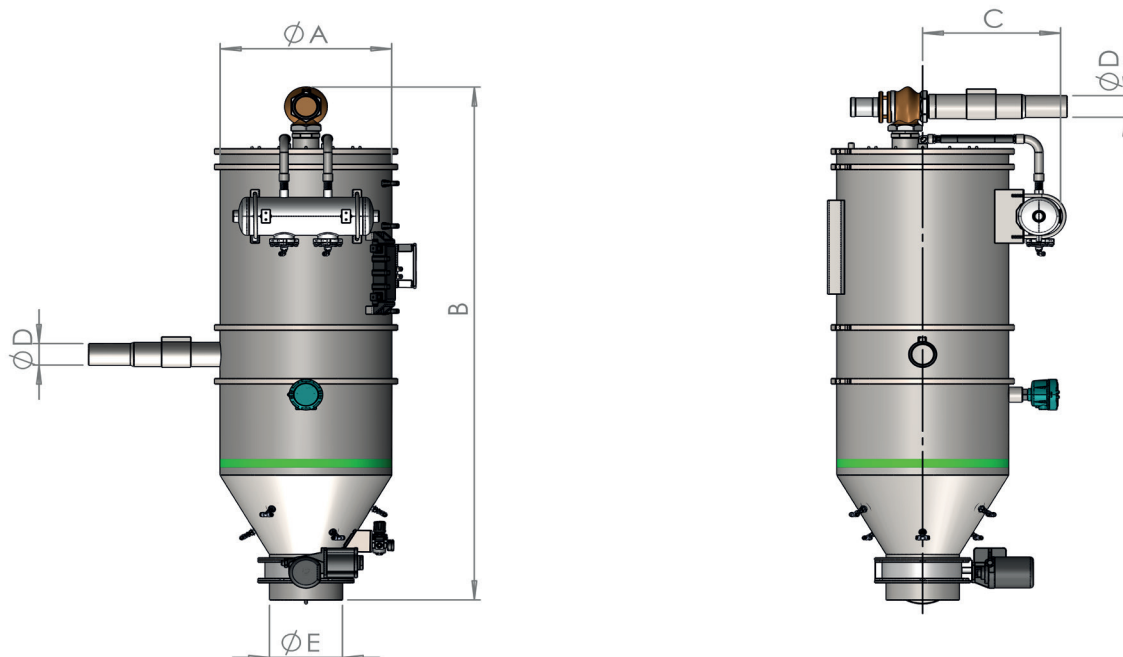
#### WEIGHING SYSTEM

If required, the HL receiver HL can be installed with load cells for the weighing of the material, a standard kit is available for all sizes.

#### OPTIONS AVAILABLE

As an option the HL receiver can be designed for high temperatures, ATEX compliant and/or FDA compliant

TECHNICAL DATA



Code	Ø A	B	C	Ø D	Ø E	Hopper capacity (lt)	Filter surface (m <sup>2</sup> )
	(mm)	(mm)	(mm)	(mm)	(mm)		
<b>HL404-35</b>	400	1420	380	60	250	35	4
<b>HL407-50</b>	400	1950	380	60	250	50	6,4
<b>HL608-80</b>	560	1560	460	88,9	250	80	8
<b>HL613-160</b>	560	2420	460	88,9	250	160	12,8
<b>HL814-200</b>	800	1950	550	88,9	250/300	200	14
<b>HL823-300</b>	800	2150	550	101,6	250/300	300	22,4
<b>HL1024-300</b>	1000	2300	680	114,3	250/300	300	24
<b>HL1039-400</b>	1000	2800	680	114,3	250/300	400	38,4