



C-ONE-G

Single screw feeding unit for easy flow products

C-ONE-G is a single screw feeding unit engineered in different sizes in order to feed granules, or free flowing products and is available in volumetric or gravimetric versions. In the loss-in-weight modules, an analogue load cell is installed to guarantee a high weighing accuracy.



PRINCIPLE OF OPERATION

A single motor with a direct transmission drives the feeding screw. Different screw configurations allows the user to feed any kind of throughput accurately and with consistency. The screw can be easily extracted from the back of the feeder which is also equipped with a manual drain on the bottom.

MAIN FEATURES

HIGH PERFORMANCE

C-ONE-G can guarantee a high accuracy in feeding (+/- 0.5%) in a range of 1:20.

WIDE RANGE OF MODELS

The wide range of different dosing units allows the user to feed from 0,2 to 22.800 dm³/h.

MODULAR DESIGN

The design allows the possibility to change material and feed-rate by simply changing the screw and discharge outlet.

MODULAR HOPPERS

Various shapes and sizes of standard hoppers can be perfectly combined with various measuring extensions chosen in relation to flow rate, in order to meet different dosing needs

WEIGHING SYSTEM

C-ONE-G gravimetric units can be installed on a platform scale or in a special designed scale frame to keep the equipment more compact.

INSTALLATIONS

C-ONE-G is always supplied prewired with junction boxes to permit an easy and fast installation.

C-ONE-G feeders can be installed in a standalone frame or in a modular multi component dosing station frame C-MULTY which is available in various configurations: DS-4, DS-6 and DS-8, from 2 to 8 feeding units.

CONTROL SYSTEM & INDUSTRY 4.0

Feeder control system can manage from a single feeder up to several feeders and production lines. The PLC is supplied with OPC/UA protocol embedded, which make each machine modular and ready for industry 4.0.

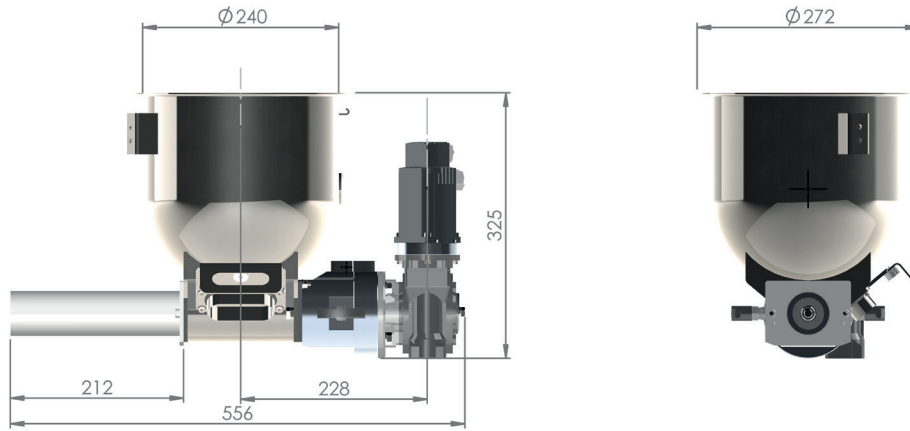
HMI

The feeding control system is equipped with a user friendly HMI touch screen (7"-9"-15").

OPTIONS AVAILABLE

As an option, C-ONE-G can be designed for high temperatures, ATEX compliant and/or FDA compliant.

TECHNICAL DATA



Configuration

- Cylindrical Hopper 28 lt
- Asymmetric Hopper 60 lt
- Asymmetric Hopper 90 lt
- Hopper extension 25/50/100 lt
- Stand alone feeder
- Multi feeder C-MULTY

Option

- Screw extension 50 mm

Configuration

- AC motor
- Brushless motor
- FDA compliant
- ATEX compliant

Technical Data

Brushless Motor - Drive

- Motor Size 0.4 kW
- Voltage 230 V
- Motor Class IP55
- Speed Reducers 7:1 / 14:1 / 30:1

AC Motor - Drive (Option)

- Motor Size 0.37 kW
- Voltage 230-460/3/50-60Hz
- Motor Class IP55
- Speed Reducers 7:1 / 14:1 / 30:1

C-ONE-DM60-G

Gear (AC motor)	rpm (screw)	SPIRAL				
		Ø20 x 20	Ø30 x 16	Ø30 x 32	Ø40 x 40	Ø50 x 50
		dmc/h	dmc/h	dmc/h	dmc/h	dmc/h
30:1	18 - 86	4,5 - 21	7 - 34	11 - 53	36 - 172	45 - 215
14:1	40 - 185	10 - 46	16 - 74	25 - 115	80 - 370	100 - 462
7:1	80 - 370	20 - 92	32 - 148	50 - 231	160 - 740	200 - 925

Gear (Brushless motor)	rpm (screw)	SPIRAL				
		Ø20 x 20	Ø30 x 16	Ø30 x 32	Ø40 x 40	Ø50 x 50
		dmc/h	dmc/h	dmc/h	dmc/h	dmc/h
30:1	4,6 - 93	1,15 - 23	1,8 - 36	2,8 - 56	9,2 - 184	11,5 - 230
14:1	10 - 200	2,5 - 50	4 - 80	6,25 - 125	20 - 400	25 - 500
7:1	20 - 400	5 - 100	8 - 160	12,5 - 250	40 - 800	50 - 1000

C-ONE-DM60-G

Gear (AC motor)	rpm (screw)	AUGER					
		Ø25 x 25	Ø30 x 16	Ø30 x 32	Ø40 x 40	Ø50 x 50	Ø60 x 60
		dmc/h	dmc/h	dmc/h	dmc/h	dmc/h	dmc/h
30:1	18 - 86	8,5 - 40	7 - 33	13 - 64	40 - 194	90 - 426	162 - 774
14:1	40 - 185	19 - 87	15 - 70	30 - 139	90 - 418	198 - 918	360 - 1665
7:1	80 - 370	38 - 174	30 - 140	60 - 278	180 - 836	296 - 1836	720 - 3330

Gear (Brushless motor)	rpm (screw)	AUGER					
		Ø25 x 25	Ø30 x 16	Ø30 x 32	Ø40 x 40	Ø50 x 50	Ø60 x 60
		dmc/h	dmc/h	dmc/h	dmc/h	dmc/h	dmc/h
30:1	4,6 - 93	2 - 43	1,7 - 35	3,5 - 70	10 - 210	22 - 461	41 - 837
14:1	10 - 200	4,5 - 94	3,8 - 76	7,5 - 150	22 - 452	49 - 992	90 - 1800
7:1	20 - 400	9 - 188	7,6 - 152	15 - 300	44 - 904	99 - 1984	180 - 3600