



MKSMARTY

Bubble Cage for Blown Film Lines

MKSMARTY is SYNCRO's PATENTED range of calibration baskets, engineered to perform with constant precision and stability. MKSmarty's series of cages range from 670 mm to 2600 mm lay flat and offer an innovative design with a rigid construction and accurate control of the cage position throughout the operational range.



PRINCIPLE OF OPERATION

The calibration basket is one of the most important parts of the process which influences both film quality and profile tolerance, MKSmarty keeps the bubble centered and calibrated after the air ring in the Blown Film process.

MAIN FEATURES

EASY INSTALLATION

MKSmarty can easily be installed on existing Blown Film Lines, replacing old calibration baskets.

PATENTED MOVEMENT

MKSmarty has a patented open and close movement which maintain the rollers radial to the bubble centre keeping the same contact point.

INTERCHANGEABLE GUIDES

Rollers are installed on interchangeable guides allowing the possibility to install additional rollers in the future.

LIFTING SYTEM

MKSmarty has a 4 screw lifting system with a stroke available from 1000 mm to 2500 mm.

ROLLS

MKSmarty is available with different kind of rollers such as, silicon foam, carbon fibre, wool sleeve, anti-sticky and FDA approved coatings.

LEVELS

MKSmarty has the possibility to install between 5 and 8 rollers for each arm, depending on the customer needs.

IBC INTEGRATION

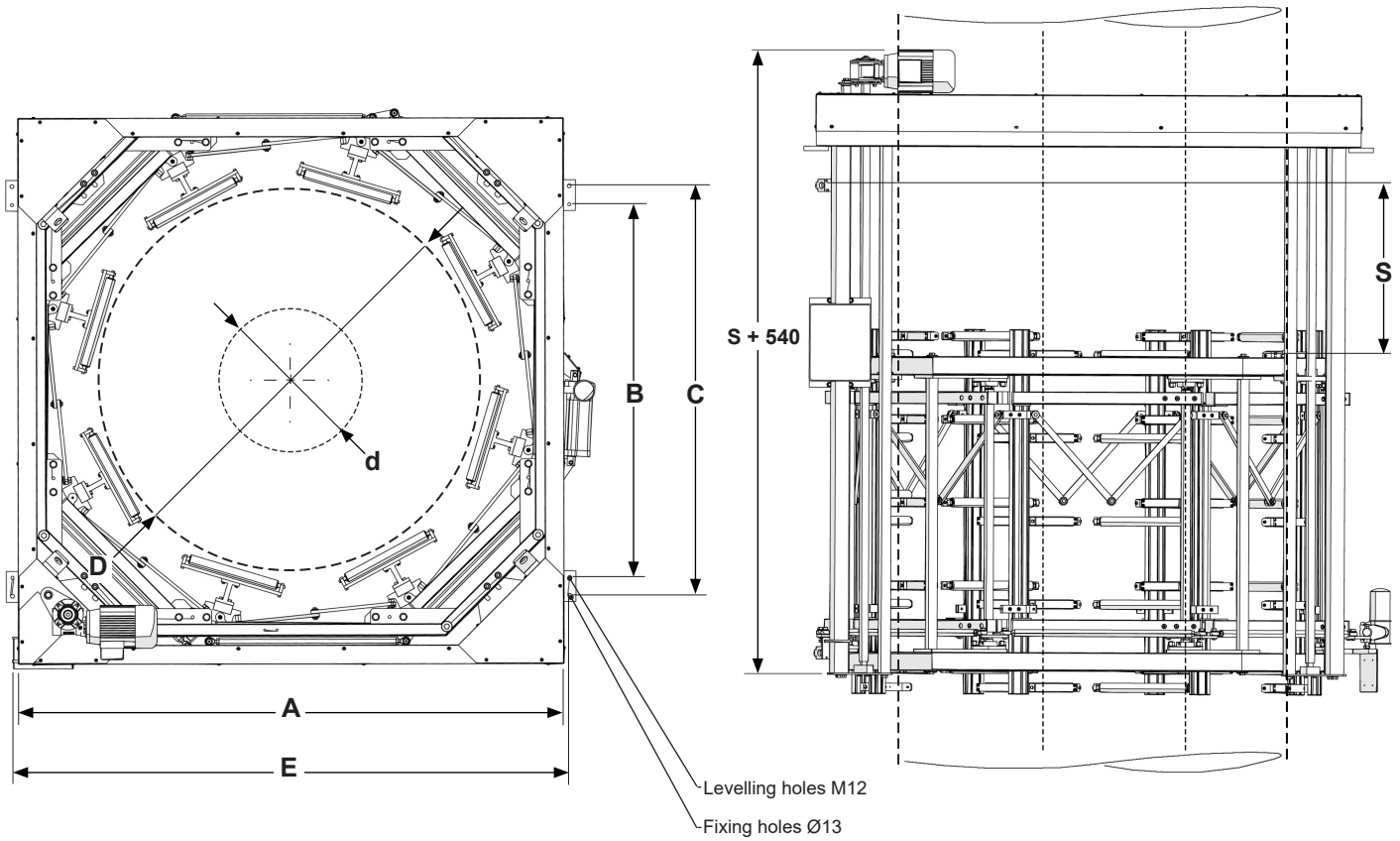
MKSmarty is pre-designed for the integration of a SYIBC sensor.

When supplied together with SYIBC, the calibration basket is equipped with an Ultrasonic Sensor Bracket and wiring for plug and play installation.

OPTIONS

MKSmarty is available with multiple options such as, an open/close control box, lay flat display, positioning system, sensor brackets and open/close control cards.

TECHNICAL DATA



Model	Ø Hot bubble		LayFlat		Stroke S (mm)	Dimension A (mm)	Dimension B (mm)	Dimension C (mm)	Dimension E (mm)	Weight (kg)	
	Ø d min	Ø D max	LF min*	LF max*							
6 Arms	MK670-6	115	450	170	670	500 / 1000	1160	600	720	1200	280
	MK800-6	135	535	200	800		1233	670	790	1273	310
	MK1120-6	190	750	280	1120		1360	800	920	1400	350
	MK1350-6	250	905	390	1350		1460	900	1020	1500	373
8 Arms	MK1600-8	270	1070	400	1600	500 / 1500	1638	1078	1198	1678	455
	MK1900-8	320	1275	475	1900		1770	1210	1330	1810	500
	MK2200-8	370	1475	550	2200		1900	1340	1460	1940	520
	MK2600-8	435	1740	650	2600		2076	1516	1636	2116	555

* Indicates the cold film, during processes the diameter could be increased up to 5%