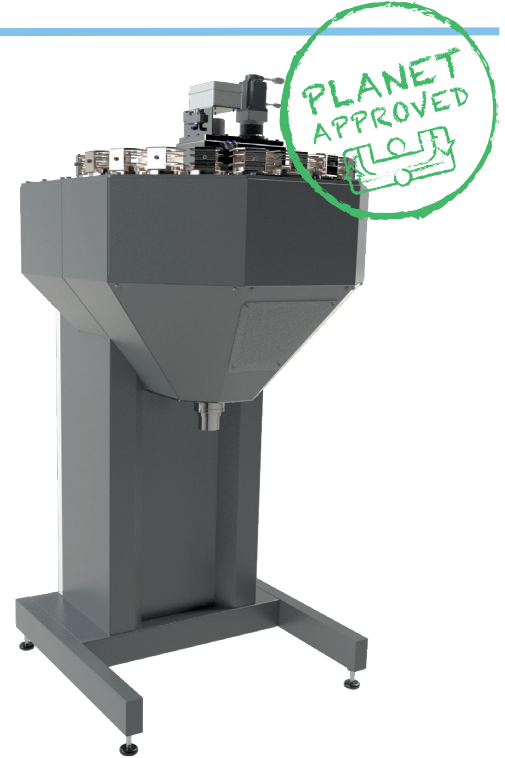




# TETRYX

## Automatic material sorting station

**TETRYX** is the automatic material sorting unit that allows up to 24 pick-up points (silo, daily-bin) to be connected to up to 24 loaders on a single station, fully automating the transport of materials.



### OPERATING PRINCIPLE

The central connecting tube, connected to the inlet pipe and rotating around the vertical axis of the station, is angularly positioned at one of the outlets on the top plate, to which it is hermetically connected; an automated control allows the tube to be rotated to choose the desired position.

### MAIN FEATURES

#### TOTAL CONFIGURABILITY

Tetryx is designed to make the distribution of materials within production plants completely flexible and modular: the number of inputs and outputs, determined by the plant configuration, can be configured with total freedom thanks to the possibility of having several stations in series.

#### HIGH EFFICIENCY

Equipped with a low-consumption, high-efficiency 0.75 kW brushless motor, it guarantees a material change time of less than 2s without vacuum loss.

#### POSITIONING ACCURACY

Tetryx can position the central connecting tube with extreme positional accuracy thanks to a high-precision optical encoder.

#### RELIABILITY

The high-precision construction of the mechanical parts and the control with PLC and commercial sensor technology guarantee absolute reliability.

#### ACCESSIBILITY

It's design allows quick access to all its main parts, facilitating maintenance procedures.

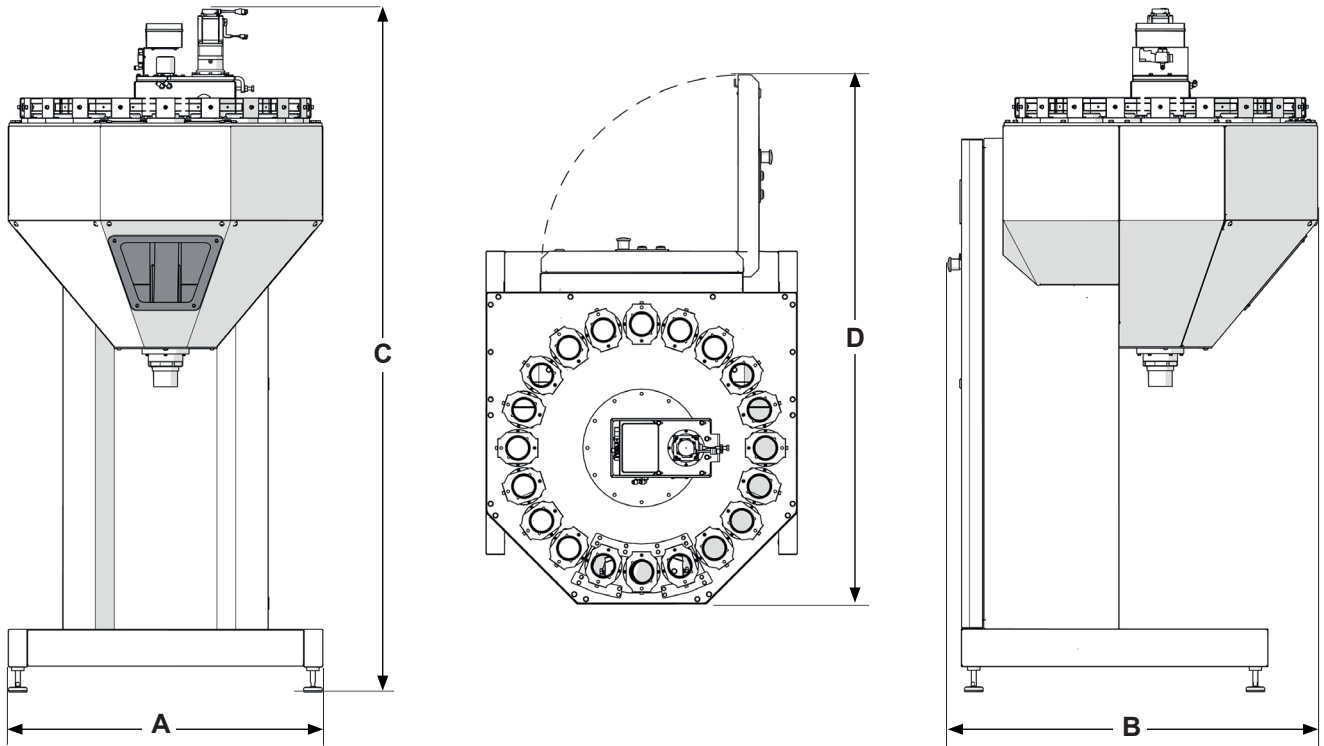
#### SECURITY

No risk for the operator. Moving parts are not accessible without the use of dedicated tools to dismantle the machine.

#### INDUSTRY 4.0 & IoT

All SYncro machines are ready to be integrated with third party supervisory controls and ERP systems using the latest generation of OPC-UA protocols as standard.

TECHNICAL DATA



	A	B	C	D
<b>Dimensions</b>	1010 mm	1180 mm	2180 mm	1750 mm
<b>N° Connections</b>	16 - 20 - 24*			
<b>Input diameter</b>	76 mm			
<b>Output diameter</b>	76 mm			
<b>Voltage/Frequency</b>	400 V / 50-60 Hz			
<b>Total power</b>	0.2 KW			
<b>Weight</b>	360 Kg			
<b>Temperature range</b>	5°C - 40°C (41°F - 104°F)			
* 24-outlet configuration only possible with maximum tube diameter of 60.3 mm				